

# NAIL DRILL MACHINE M17

Model: M17

Certificate No.: UNIA22011511SC-01 UNIA22011510EC-11

## TECHNICAL DATA:

Power: 68W

Input voltage: 220V AC

Output voltage: 12V - 1.5A

Rotation speed: 45 000 RPM

## 1. SAFETY OF USE:

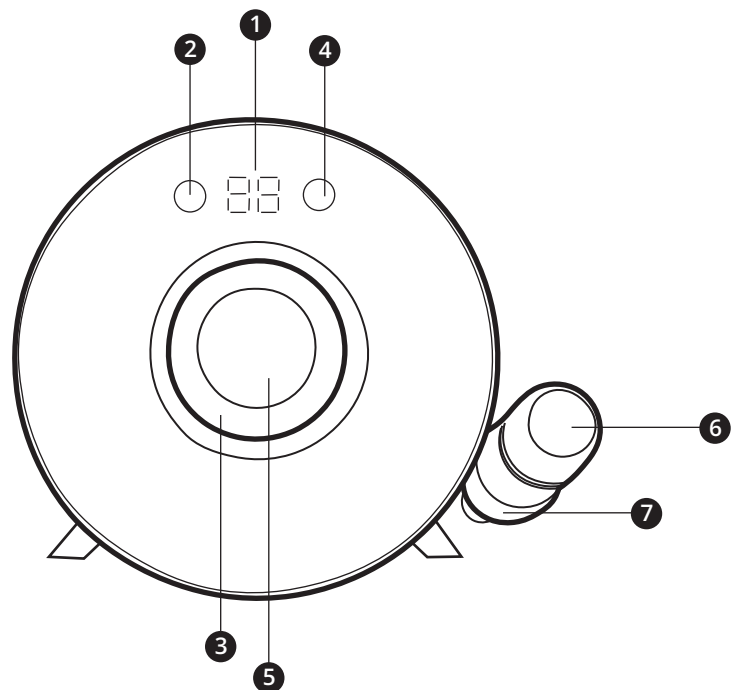
1. Before use, read the operating instructions carefully.
2. Remember that the actual voltage used must correspond to the nail drill's parameters.
3. Do not use the device in a damp/wet area or when the air humidity level reaches high values.
4. If the nail drill machine is flooded, immediately disconnect it from the power source. A flooded device must not be used again. Return it to the manufacturer's service for inspection and possible repair.
5. Disconnect the power plug when the nail drill machine is not used for a long time.
6. Wipe with a mild detergent if the surface is dirty. Perform the operation with the equipment switched off (disconnect the power cable). Never clean with an acidic cleaning agent.
7. Rational use and proper maintenance can extend the life of the nail drill machine.
8. If the device does not work properly, ask a specialist to check the lower fuse for damage.

## 2. THE SET INCLUDES:

- Nail drill machine
- Handpiece
- Drill bit set box
- Foot drive
- User manual
- Handle holder

## 3. FUNCTION BUTTON CHARACTERIZATION

1. Display \* 1000 Rpm
2. Power ON/OFF
3. Bright ring
4. Handle/foot control
5. Control speed
6. Handle
7. Position handle



## 4. MAIN FUNCTIONS:

The nail drill machine was designed with professional manicure salons in mind, as well as users who do manicures at home. The user-friendly design and handpiece designed to give a sense of high comfort of work are the distinctive features of the device.

## 5. HOW TO USE:

1. Connect the power cord to the socket.
2. Connect the nail drill machine's head to the appropriate input on the device.
3. Turn the device on with the ON/OFF button.
4. Turn the knob to set the optimal speed for work. Turning to the right increases the speed in the range of 0-45,000 PRM, turning to the left slows it down.
5. Switch the rotation button to the right/left depending on the need for work.
6. Switch the HAND/FOOT mode with the button depending on the need for work.
7. If you are not using the device, remember to always unplug the power cable from the socket

## 6. DIRECTIONS:

1. Remember to connect the device to a socket with a voltage that is suitable for the device's requirements.
2. Keep the device out of reach of children.
3. Use a dry or slightly damp cloth with detergent to clean the device.
4. Use the device away from moisture. Avoid exposing the device to strong sunlight to prevent it from overheating.
5. Do not replace drill bits while the nail drill machine is running. This may cause irreversible damage to the handle.
6. If the device is not used for a long time, disconnect the power plug and store the device in a ventilated, dry place.



In accordance with *art. 13 sec. 1 of the Act of 11 September 2015 on used electrical and electronic equipment (Journal of Laws 2015 item 1688)*, we inform you about the correct handling of waste electrical and electronic equipment:

1. It is prohibited to place used electrical and electronic equipment together with other waste - this is confirmed by the marking in the form of a "crossed-out bin", which requires selective collection of this type of waste.
2. Electrical and electronic devices may contain hazardous substances, mixtures and components, which, after entering the environment, may pose a serious threat to the health and life of humans and living organisms.
3. Used electrical and electronic equipment should be transferred only to authorized collection points, the list of which should be included on the website of each Municipal Office.
4. Households play a key role in the waste management system for used electrical and electronic equipment due to the possibility of their direct transfer to authorized collection points and the elimination of undesirable social habits resulting in leaving waste equipment in places not intended for this purpose.

**IMPORTER**

**Made in PRC**