

NAIL DRILL MACHINE 111

Model: 111

Certificate No.: KEYS23091413001EM-02SR1, KEYS23091413001LD-01SR1, KEYS23091413001RH-03R1

TECHNICAL DATA:

Power: 50W

Nominal input: 5V 1A

Nominal output: Using USB cable, no adapter output header

Battery capacity: 2 pcs 1200 mah battery

Rotation speed: 35 000 RPM

1. SAFETY OF USE:

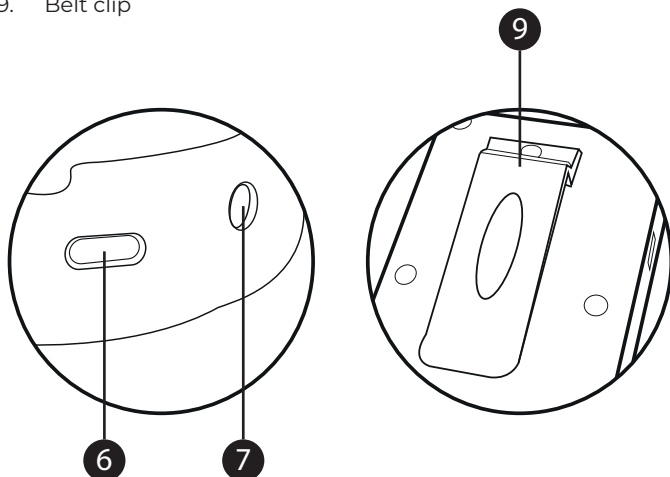
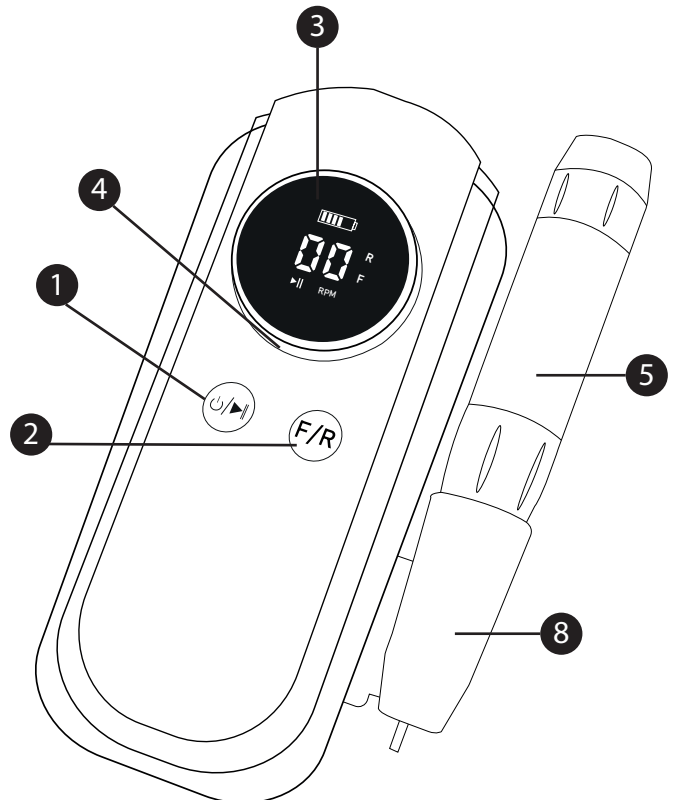
1. Please read the instruction manual carefully before use.
2. Use the device indoors in the temperature range 0-40°C. Using it in an excessively dusty, warm or damp place can damage the nail drill machine.
3. Taking the nail drill machine out of the box, never let it fall to the floor.
4. Take care not to drop the nail drill head. It will damage Ball Bearing or weaken durability of the head.
5. Never plug or unplug the power cord with wet hands to avoid electric shock.
6. Never use damaged electric cable to avoid electric shock.
7. Do not insert too many power cords into one socket, it gives rise to fire.
8. Remember that making self-switches and changes to your device is equivalent to losing warranty.
9. In the event of flooding the nail drill machine, immediately disconnect it from the power source. A flooded device must not be used again. Take the device to a service center for examination and possible repair.
10. Use only for cosmetic treatments (manicure/pedicure).
11. Do not use the device in a humid/wet space and when the air humidity level reaches high values.
12. Do not place the nail drill machine near heating appliances, candles, open flames or cigarettes.
13. If the device vibrates excessively or makes unusual noises, discontinue use.
14. Once you have finished drilling, place the head in the holder.
15. Keep out of reach of children.

2. THE SET INCLUDES:

- Nail drill machine
- Nail drill head
- Type-C charging cable
- Set of nail drill bits
- User manual
- Warranty card

3. CHARACTERISTICS OF THE DEVICE:

1. ON/OFF button, pause button
2. R/F - Forward and reverse button
3. Speed/battery capacity display
4. Speed control knob
5. Nail drill head
6. Type-C interface
7. Head connector
8. Head holder
9. Belt clip



4. HOW TO USE:

1. Press the ON/OFF Button (Figure 1) for two seconds to start the device.
2. Set the R/F forward/reverse switch (Figure 2) as needed.
3. The speed of the engine can be varied in the range of 0-35000 RPM. The RPM LCD display shows different device speeds in the range of 0-35 (Figure 3).
4. Press the pause button for 1 second to stop the device (Figure 1).

SECURITY PROTECTION SYSTEM:

The device is equipped with a safety protection system. The head will stop working when the overload protection function is activated to avoid overheating caused by incorrect operation. Just press the pause button or R/F to restart the machine for continuous use.

5. NAIL DRILL BITS DISASSEMBLY AND ASSEMBLY:

1. To remove the bit, turn the head handle clockwise until you hear a click and remove the bit.
2. To install the nail drill bit, make sure the head is in the open position, insert the bit all the way into the head and turn the head handle counterclockwise until you hear a click to stop.

When twist the lock chuck in using, the power of the main motor will stop immediately to protect the machine. (The motor is easy to be damaged and the life of the motor will be reduced in this way, please be cautious in operation).

The slight burning smell from the head motor is normal due to the dissipation.

PROBLEMS	CAUSE	SOLUTION
The nail drill machine is not working	Loose connection of the power cable to the socket in the control unit	Correctly connect the power cord
	Power cord damage	Replace the power cord
	Engine damage	Contact the service
Nail drill machine head stops suddenly during operation	Przeciążenie lub głowica jest otwarta w trakcie pracy	Security protection has been activated. Check the head, if it's open close it.



In accordance with art. 13 sec. 1 of the Act of 11 September 2015 on used electrical and electronic equipment (Journal of Laws 2015 item 1688), we inform you about the correct handling of waste electrical and electronic equipment:

1. It is prohibited to place used electrical and electronic equipment together with other waste - this is confirmed by the marking in the form of a „crossed-out bin”, which requires selective collection of this type of waste.
2. Electrical and electronic devices may contain hazardous substances, mixtures and components, which, after entering the environment, may pose a serious threat to the health and life of humans and living organisms.
3. Used electrical and electronic equipment should be transferred only to authorized collection points, the list of which should be included on the website of each Municipal Office.
4. Households play a key role in the waste management system for used electrical and electronic equipment due to the possibility of their direct transfer to authorized collection points and the elimination of undesirable social habits resulting in leaving waste equipment in places not intended for this purpose.



In accordance with Directive 2006/66/EC of the European Parliament and of the Council of 6 September 2006 on batteries and accumulators and waste batteries and accumulators and repealing Directive 91/157/EEC, this product is marked with the symbol of a crossed-out wheeled bin. The symbol indicates that the batteries or accumulators used in this product should not be disposed of with normal household waste. Users of batteries and accumulators must use the available collection network for these items that enables their return, recycling and disposal.

IMPORTER

Made in PRC