

NAIL DRILL MACHINE MOLLYNAILS M15

Model: M15

Certificate No.: UNIA22011510EC-11, UNIA22011511SC-01

*Molly
Nails*

TECHNICAL DATA:

Power: **68W**

Rated input: **220V AC**

Rated output: **12V - 1.5A**

Rotation speed: **45000 RPM**

1. SAFETY INSTRUCTIONS:

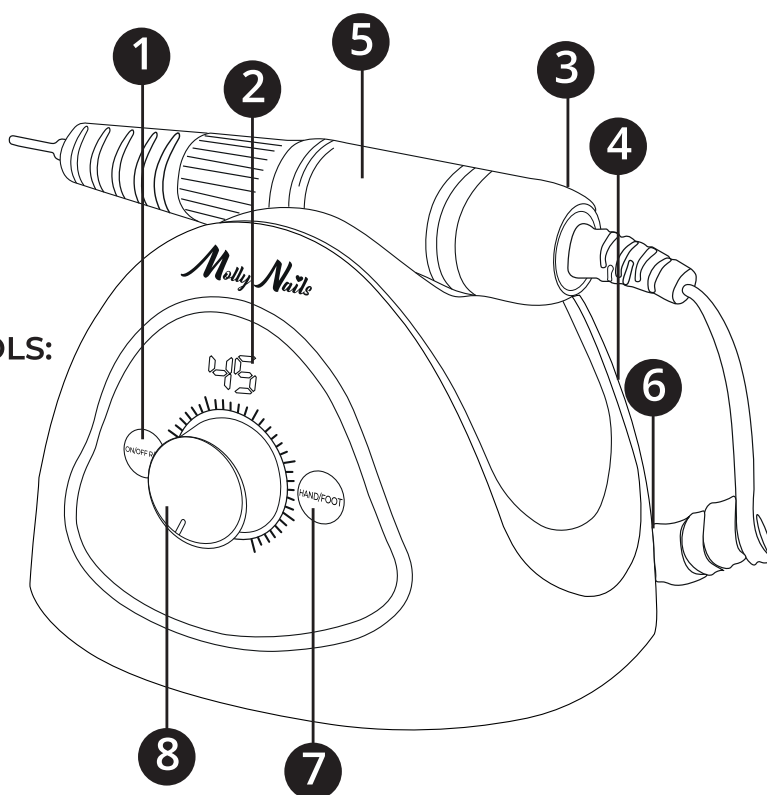
1. Before using the device for the first time, carefully read this instruction manual.
2. Ensure that the power supply voltage corresponds to the technical specifications of the device.
3. Do not use the nail drill in wet or humid environments or in conditions of high air humidity.
4. If the device becomes wet or flooded, immediately disconnect it from the power supply. Do not use the device again. Contact an authorized service center for inspection and possible repair.
5. If the device will not be used for an extended period, unplug it from the power outlet.
6. If the housing becomes dirty, clean it with a soft cloth lightly dampened with a mild detergent. Cleaning must be performed only when the device is switched off and disconnected from the power supply.
7. Do not use acidic, abrasive, or aggressive cleaning agents.
8. Proper use and regular maintenance may significantly extend the service life of the device.
9. In case of malfunction, contact a qualified service technician. Do not disassemble or attempt to repair the device yourself.
10. Keep the device out of reach of children.

2. PACKAGE CONTENTS:

- Nail drill control unit
- Handpiece (drill handle)
- Set of drill bits
- Foot pedal
- User manual
- Warranty card

3. DEVICE DESCRIPTION AND CONTROLS:

1. ON/OFF switch – power on/off and rotation direction selection (R/F – forward/reverse).
2. Speed display.
3. Power input socket.
4. Handpiece connection socket.
5. Handpiece.
6. Foot pedal input socket.
7. HAND / FOOT mode selector (manual or foot control).
8. Speed control knob.



4. MAIN FEATURES:

The nail drill has been designed for professional manicure salons as well as for home use. Its ergonomic design and comfortable handpiece ensure high working comfort, precision, and safe operation.

5. OPERATING INSTRUCTIONS:

1. Connect the power cable to the appropriate socket on the device.
2. Connect the handpiece to the designated handpiece socket.
3. Switch the device on using the ON/OFF button.
4. Adjust the rotation speed using the speed control knob:
 - turning clockwise increases speed (0–45,000 RPM),
 - turning counterclockwise decreases speed.
5. Select the rotation direction (Forward / Reverse) according to your working needs.
6. Select the operating mode: HAND (manual control) or FOOT (foot pedal control).
7. After finishing work, switch off the device and disconnect it from the power supply.

6. MAINTENANCE AND ADDITIONAL RECOMMENDATIONS:

1. Always connect the device to a power source that meets the specified voltage requirements.
2. Store the nail drill in a dry, well-ventilated place, out of reach of children.
3. Clean the device only with a dry or slightly damp cloth using a mild detergent.
4. Protect the device from moisture and direct sunlight to prevent overheating.
5. Never change drill bits while the device is operating, as this may cause irreversible damage to the handpiece.
6. If the device will not be used for a long period, disconnect it from the power supply and store it in a dry place.



In accordance with art. 13 sec. 1 of the Act of 11 September 2015 on used electrical and electronic equipment (Journal of Laws 2015 item 1688), we inform you about the correct handling of waste electrical and electronic equipment:

1. It is prohibited to place used electrical and electronic equipment together with other waste - this is confirmed by the marking in the form of a "crossed-out bin", which requires selective collection of this type of waste.
2. Electrical and electronic devices may contain hazardous substances, mixtures and components, which, after entering the environment, may pose a serious threat to the health and life of humans and living organisms.
3. Used electrical and electronic equipment should be transferred only to authorized collection points, the list of which should be included on the website of each Municipal Office.
4. Households play a key role in the waste management system for used electrical and electronic equipment due to the possibility of their direct transfer to authorized collection points and the elimination of undesirable social habits resulting in leaving waste equipment in places not intended for this purpose.

IMPORTER
MollyLac Michał Szewczyk
ul. Piotrkowska 270
90-361 Łódź, Polska
mollynails.pl
uwagi@mollynails.pl

Made in PRC